

Designed exclusively for use with high pressure two-component spray equipment.

## TranSPOD

Portable Coating Application System  
with patented SPOD rotary sprayhead



### Included Equipment:

#### SPOD (Spray POD) assembly

- Aluminum frame assembly - with access doors
- Adjustable/Presets for vertical and rotation speeds
- Two hand held wireless controls
- 1/2 HP AC gear reduction drive motor
- Turntable assembly with modified internal mix autogun
- 4 each / 24V high output lamps

#### Transport

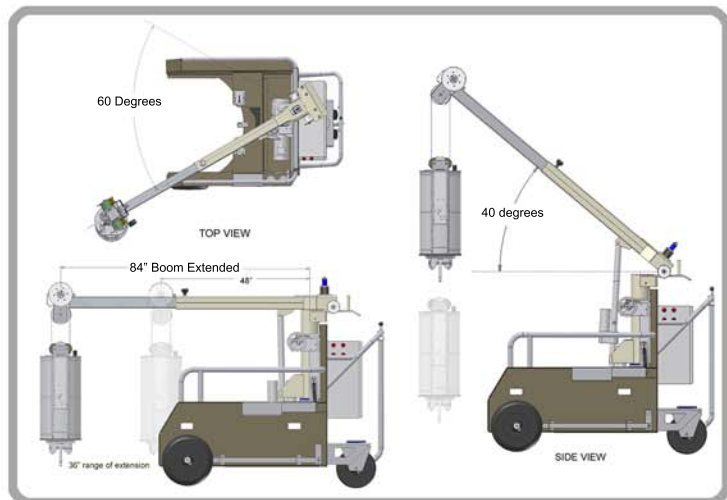
- Steel chassis with pneumatic tires (7 gauge painted)
- Pivot mounted 3 directional boom assembly
- Boom: Powered - Up/Down positioning  
Manual - Telescopic and Lateral positioning
- External power source connector - 240V 3 ph

### System specifications

- Electrical requirement: 240 vac / 3 phase / 50 amp
- Air requirements: 8-10 cfm / 90-110 psi
- Maximum material hose length:  
400ft or as specified by proportioner mfr.
- Spray head rotation speed: 0-300 rpm
- Weight: (with SPOD) 856 lbs

Options: Auto-gun assembly for primer or alternate coating

### Transpod Dimensions:



### Features:

Adapts to any high pressure proportioner (consult ROI)  
Wireless control of 2 two-component spray systems  
Internal mix guns - eliminates chemical flushing  
Operates from truck body or trailer  
Easily removed for remote use  
Adaptable to horizontal applications

